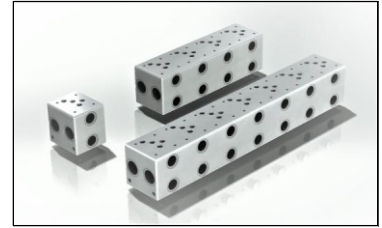


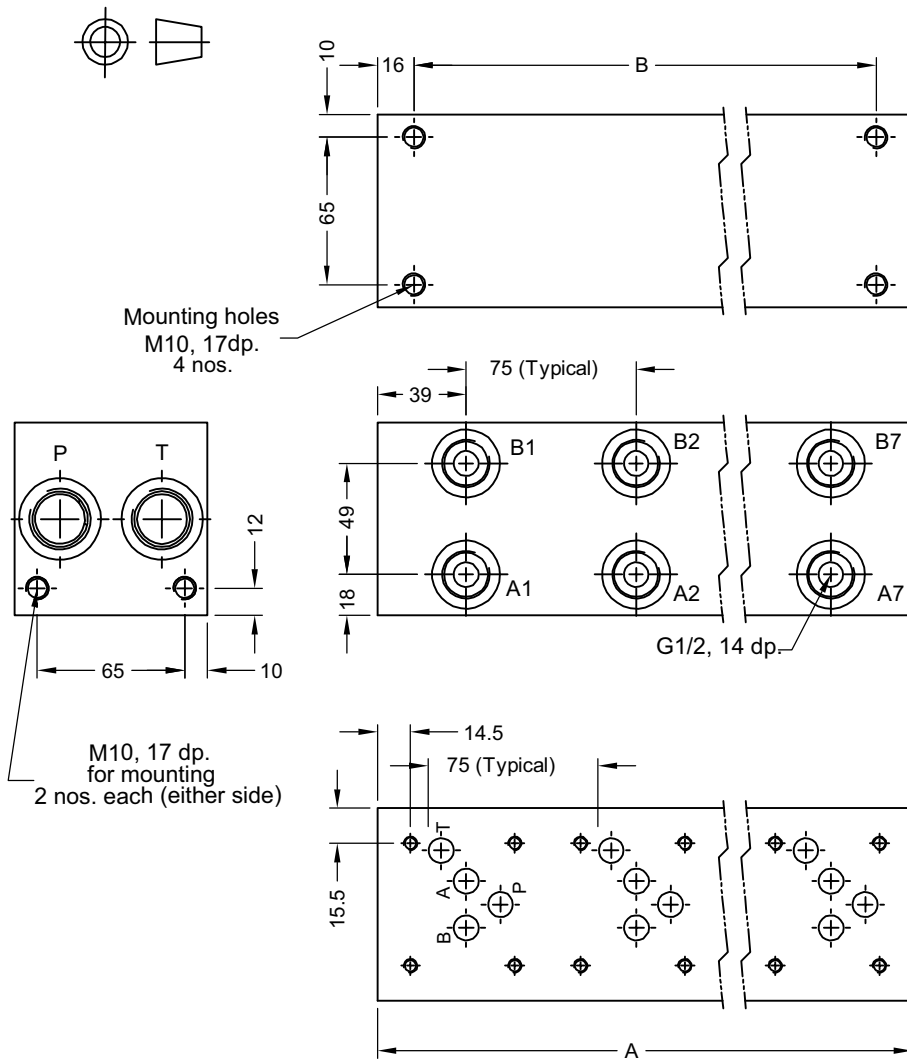
**Description**

These Bar Manifolds are designed to connect valves having interface conforming to ISO 4401-05-04 in parallel in least possible physical space. These Manifolds connect all P ports of the interface to a common passage generously sized for least possible pressure drop. So also the T ports. The maximum number of interfaces available on manifold bar are 07.

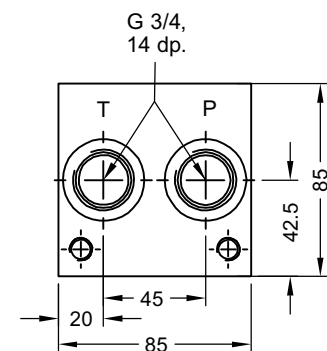
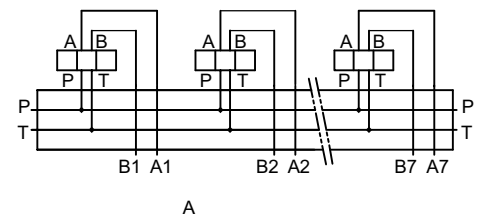


**Unit dimensions**

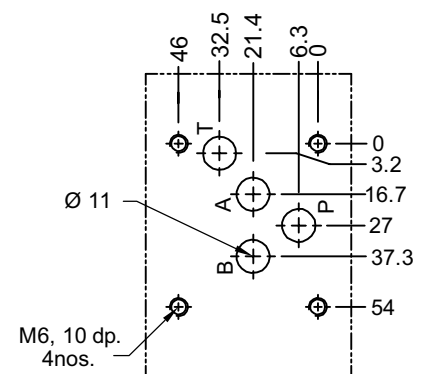
Dimensions in mm.



**Hydraulic symbol**



**Interface Details**



**Material : Aluminium Alloy (Max. Pressure 315 bar)**

No. of stations	1	2	3	4	5	6	7	-
Model no.	2P03983/1-10	2P03983/2-10	2P03983/3-10	2P03983/4-10	2P03983/5-10	2P03983/6-10	2P03983/7-10	-
A	75	150	225	300	375	450	525	-
B	43	118	193	268	343	418	493	-

**Ordering code**

